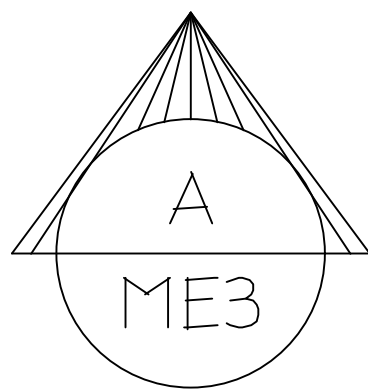


LANDING TO BE 1" 22GA FORM DECK OR PL STEEL INFILL TO SUPPORT 4" CONCRETE LANDING (CONCRETE BY OTHERS)



MC6x12 DECK SUPPORTS W/ 1/2" x 5" STAGGERED EXPANSION ANCHORS @ 12" O.C. TYP

WALL RAIL THIS SIDE OF STAIR. SEE DETAILS C&D, E7

CONCRETE STAIRWELL (BY OTHERS)

PLAN VIEW
STAIR I @ 1ST FLOOR

REF:

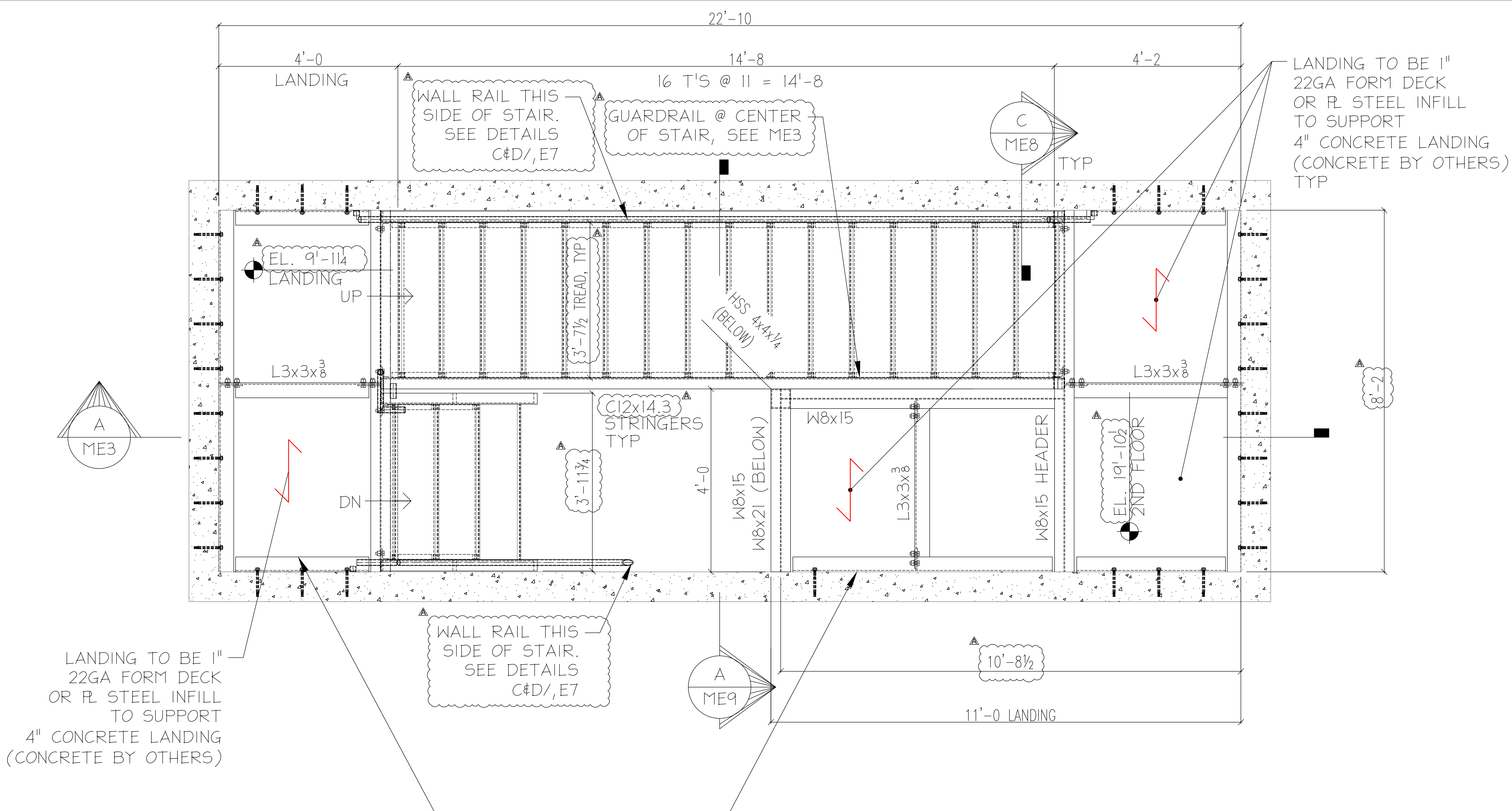
REV	DATE	BY	DESCRIPTION
Δ	7/28/29		Per Review Comments

PROJECT: 40024
 LOCATION: 180-00 Booth Memorial Ave, Flushing, NY 11365
 SHEET DESCRIPTION: DESCRIPTION
 CONTRACTOR:

CITY STEEL PRODUCTS
 176-25 Union Turnpike
 Suite 248 Fresh Meadows, New York
 PHONE: 718-498-2855 www.citysteelproducts.com

DRAWN BY	DATE
RCL	6/11/2023

ME1



PLAN VIEW
STAIR 1 @ 2ND FLOOR

REF:

LANDING TO BE 1" 22GA FORM DECK OR PL STEEL INFILL TO SUPPORT 4" CONCRETE LANDING (CONCRETE BY OTHERS) TYP

LANDING TO BE 1" 22GA FORM DECK OR PL STEEL INFILL TO SUPPORT 4" CONCRETE LANDING (CONCRETE BY OTHERS)

WALL RAIL THIS SIDE OF STAIR. SEE DETAILS C&D/, E7

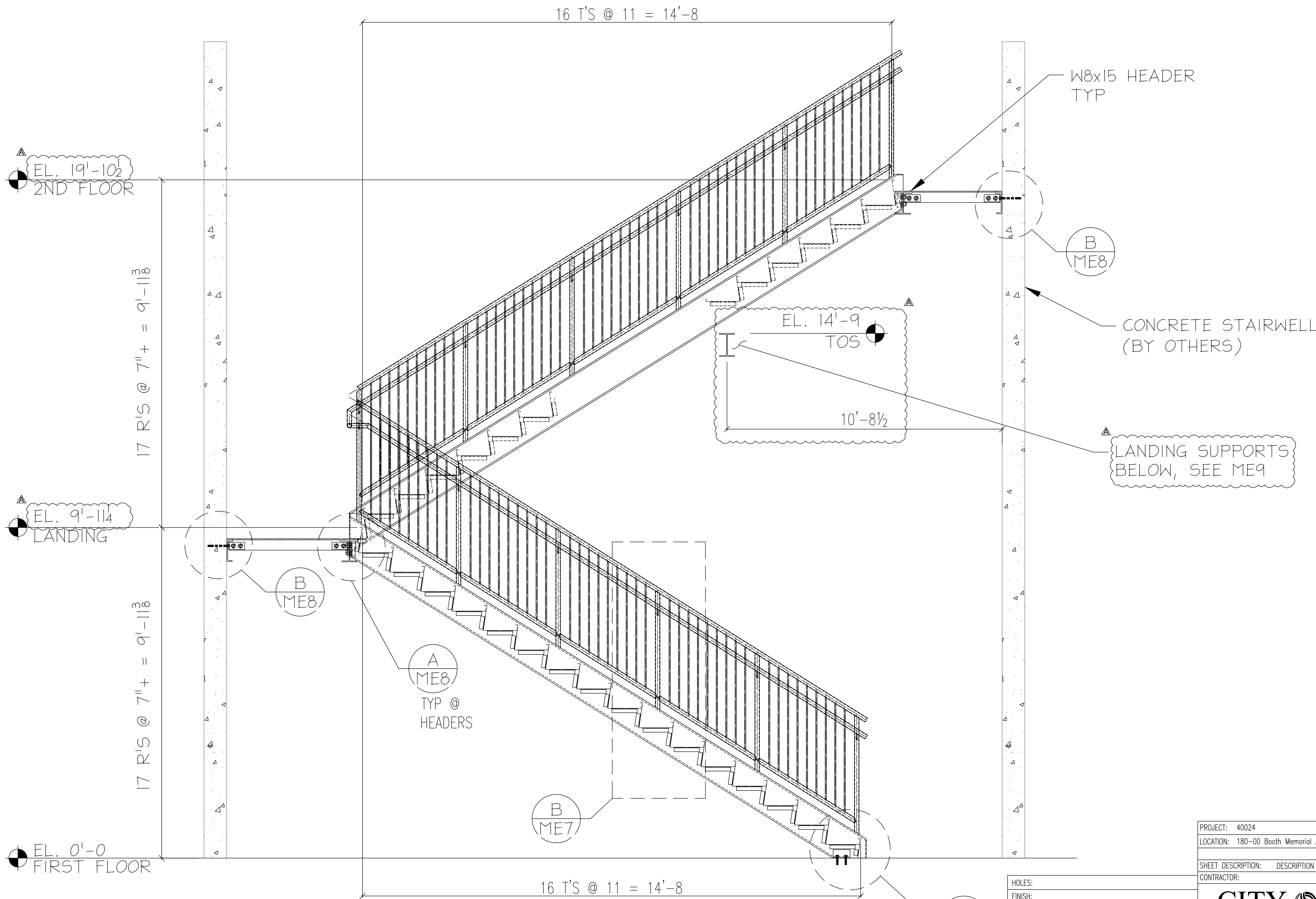
MC6x12 DECK SUPPORTS W/ 1/2x5 STAGGERED EXPANSION ANCHORS @ 12" O.C. TYP

REV	DATE	BY	DESCRIPTION
△	7/28/29		Per Review Comments

PROJECT:	40024
LOCATION:	180-00 Booth Memorial Ave, Flushing, NY 11365
SHEET DESCRIPTION:	DESCRIPTION
CONTRACTOR:	

CITY STEEL PRODUCTS
 176-25 Union Turnpike
 Suite 248 Fresh Meadows, New York
 PHONE: 718-498-2855 www.citysteelproducts.com

DRAWN BY	DATE	
RCL	6/11/2023	ME2



A
ME3

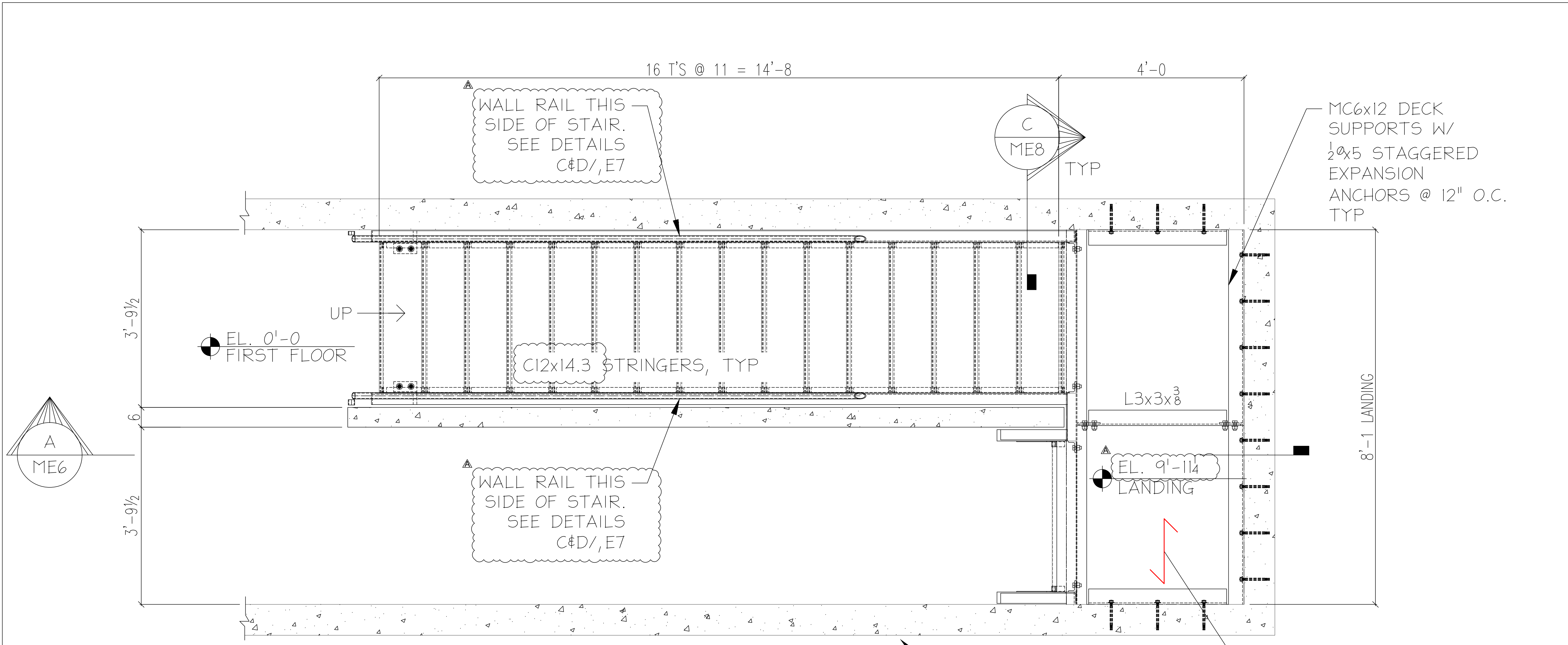
STAIR 1
SECTION VIEW
REF:

REVISIONS			
REV	DATE	BY	DESCRIPTION
▲	7/28/29		Per Review Comments

PROJECT: 40024
 LOCATION: 180-00 Booth Memorial Ave, Flushing, NY 11365
 SHEET DESCRIPTION: DESCRIPTION
 CONTRACTOR:

CITY STEEL
 PRODUCTS
 176-25 Union Turnpike
 Suite 248 Fresh Meadows, New York
 PHONE: 718-498-2855 www.citysteelproducts.com

DRAWN BY	DATE	
RCL	6/11/2023	ME3



PLAN VIEW
STAIR 2 @ 1ST FLOOR
REF:

CONCRETE STAIRWELL
(BY OTHERS)

LANDING TO BE 1" 22GA FORM DECK OR PL STEEL INFILL TO SUPPORT 4" CONCRETE LANDING (CONCRETE BY OTHERS)

New York's Best Commercial Steel Fabrication and Iron Works Company

REV	DATE	BY	DESCRIPTION
1	7/28/29		Per Review Comments

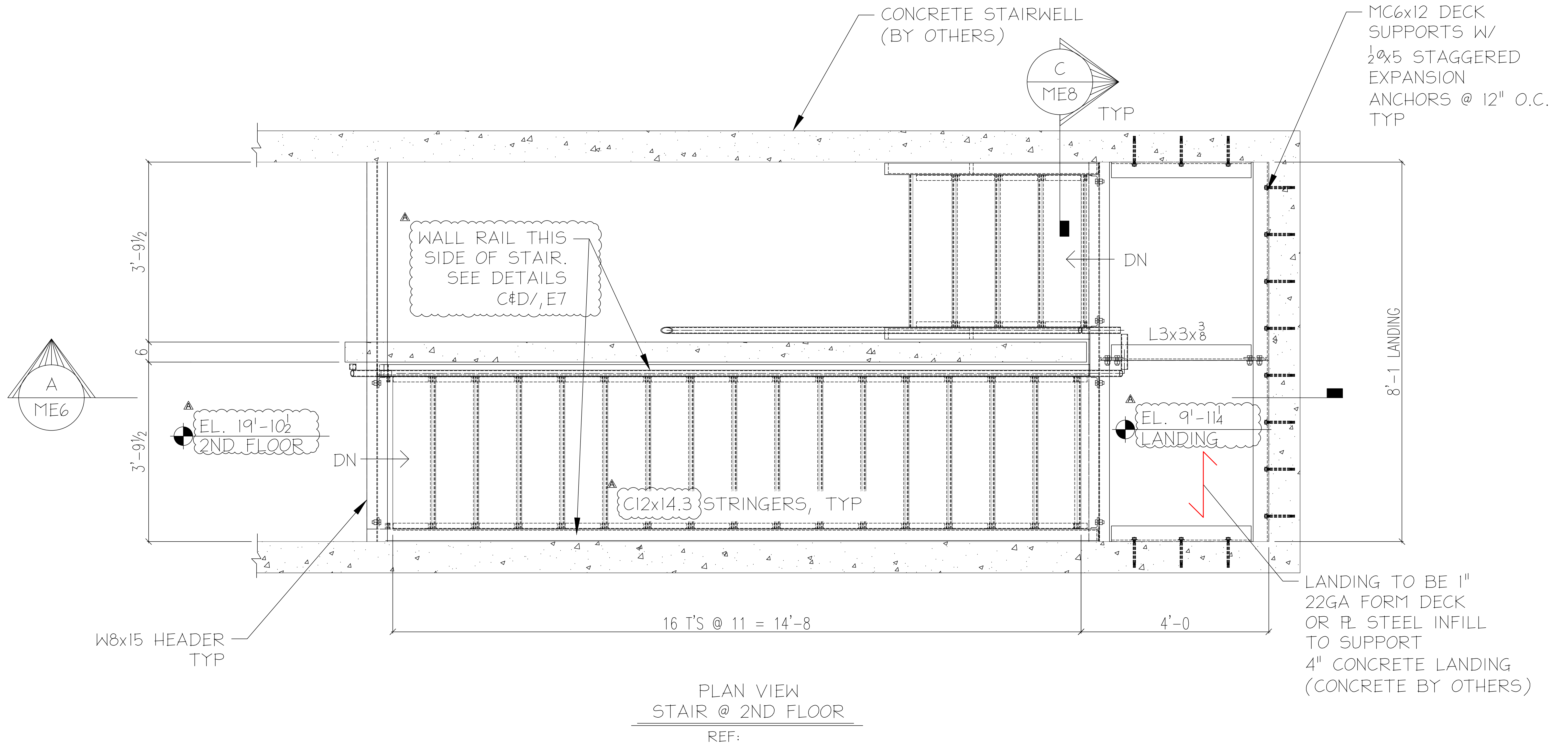
PROJECT: 40024
 LOCATION: 180-00 Booth Memorial Ave, Flushing, NY 11365
 SHEET DESCRIPTION: DESCRIPTION
 CONTRACTOR:

CITY STEEL PRODUCTS
 176-25 Union Turnpike
 Suite 248 Fresh Meadows, New York
 PHONE: 718-498-2855 www.citysteelproducts.com

DRAWN BY: RCL DATE: 6/11/2023

ME4

FILE # ME4.dwg



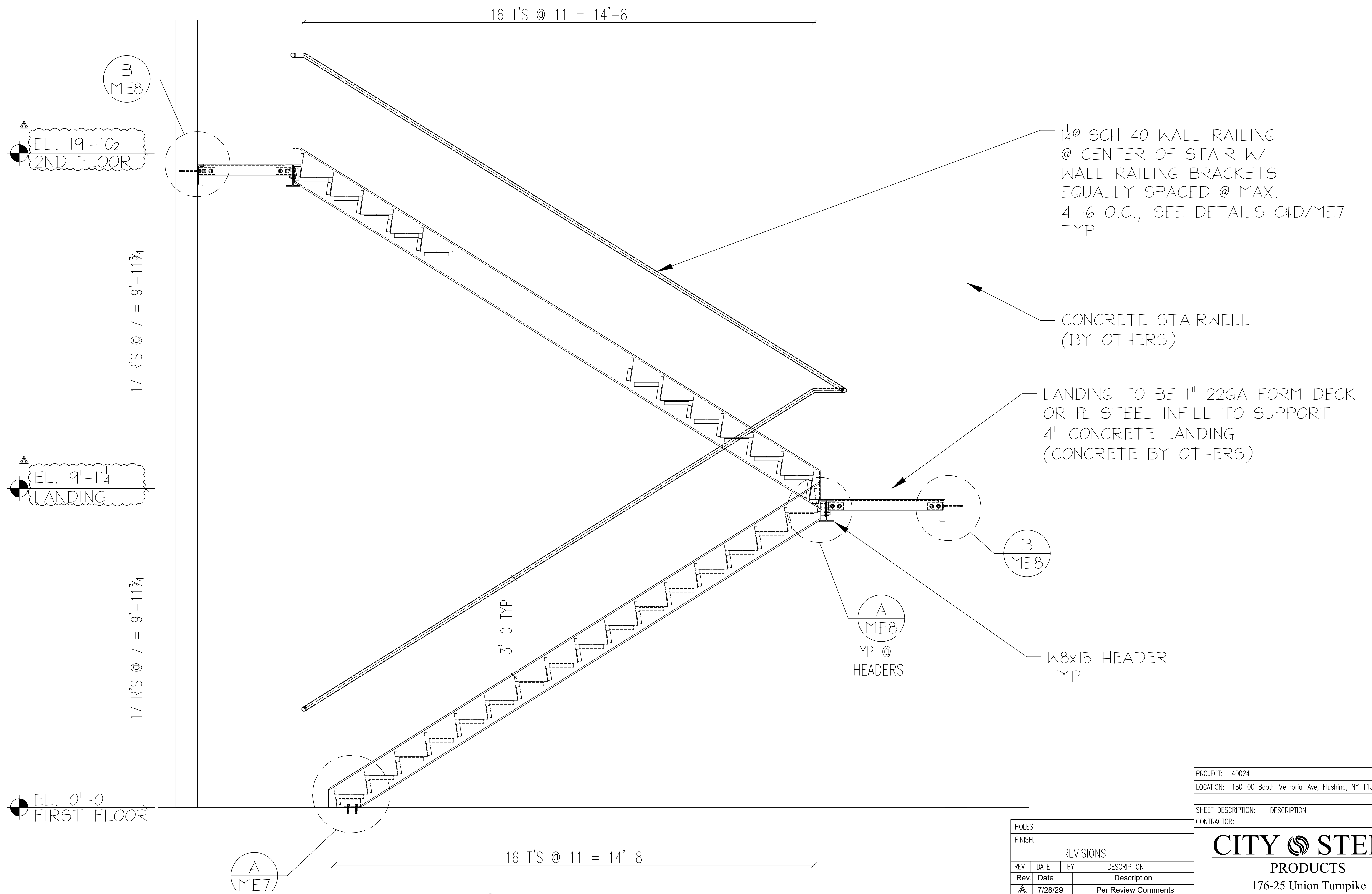
PLAN VIEW
STAIR @ 2ND FLOOR
REF:

REV.	DATE	BY	DESCRIPTION
▲	7/28/29		Per Review Comments

PROJECT: 40024
 LOCATION: 180-00 Booth Memorial Ave, Flushing, NY 11365
 SHEET DESCRIPTION: DESCRIPTION
 CONTRACTOR:

CITY STEEL PRODUCTS
 176-25 Union Turnpike
 Suite 248 Fresh Meadows, New York
 PHONE: 718-498-2855 www.citysteelproducts.com

DRAWN BY: RCL DATE: 6/11/2023 ME5



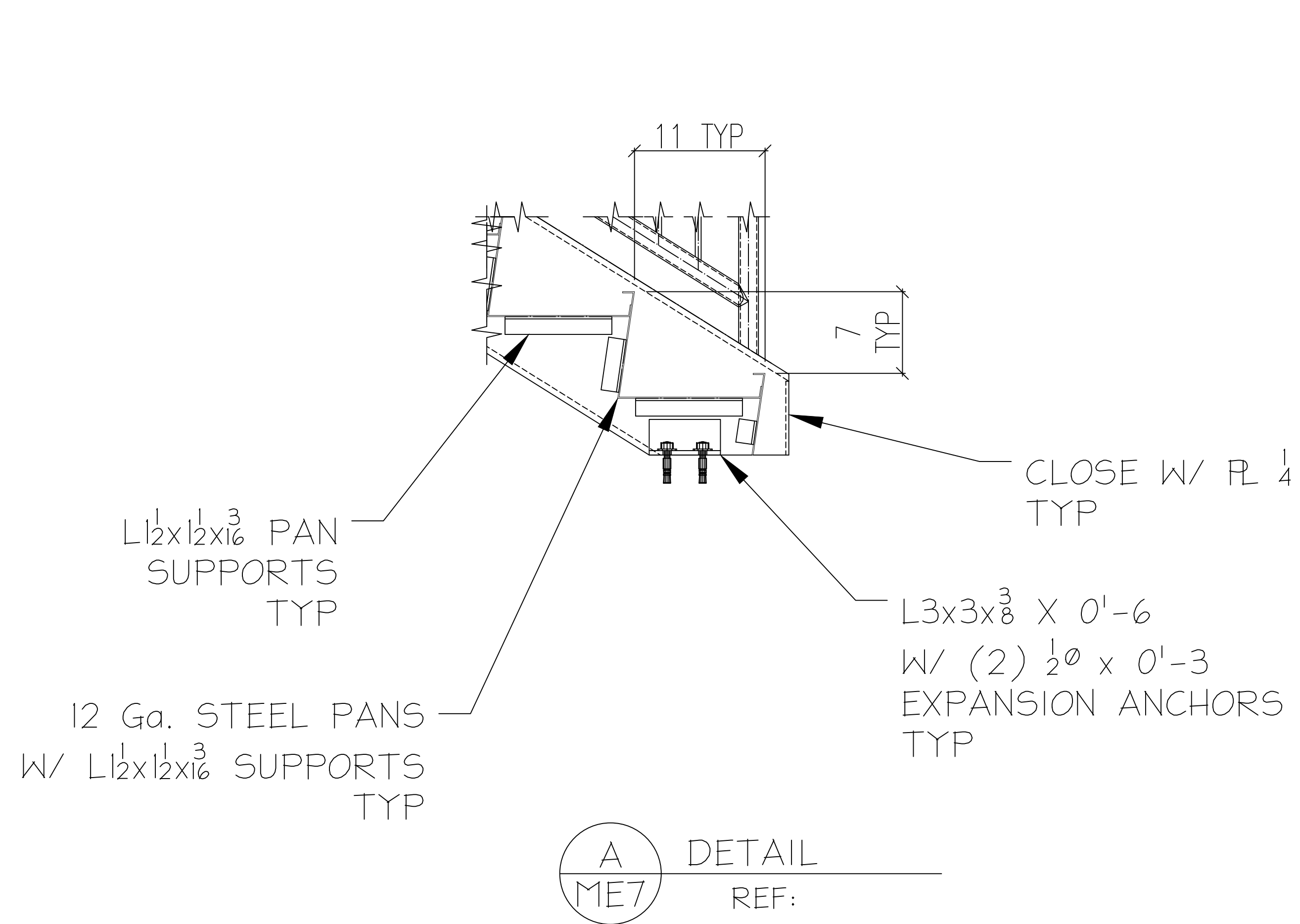
A
ME6 STAIR 2 SECTION VIEW
REF:

PROJECT:	40024
LOCATION:	180-00 Booth Memorial Ave, Flushing, NY 11365
SHEET DESCRIPTION:	DESCRIPTION
CONTRACTOR:	

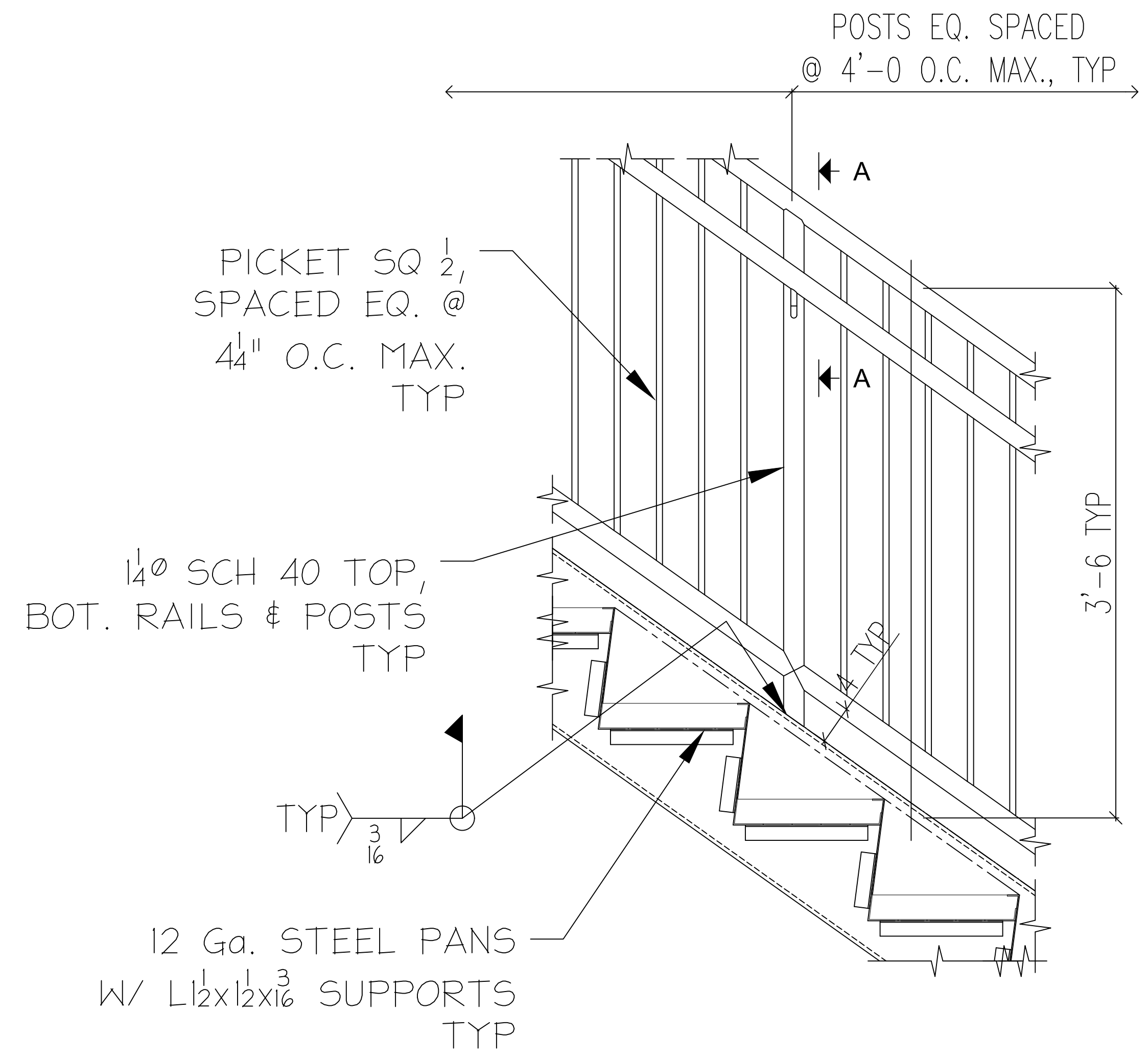
CITY STEEL
PRODUCTS
176-25 Union Turnpike
Suite 248 Fresh Meadows, New York
PHONE: 718-498-2855 www.citysteelproducts.com

REV	DATE	BY	DESCRIPTION
7/28/29			Per Review Comments

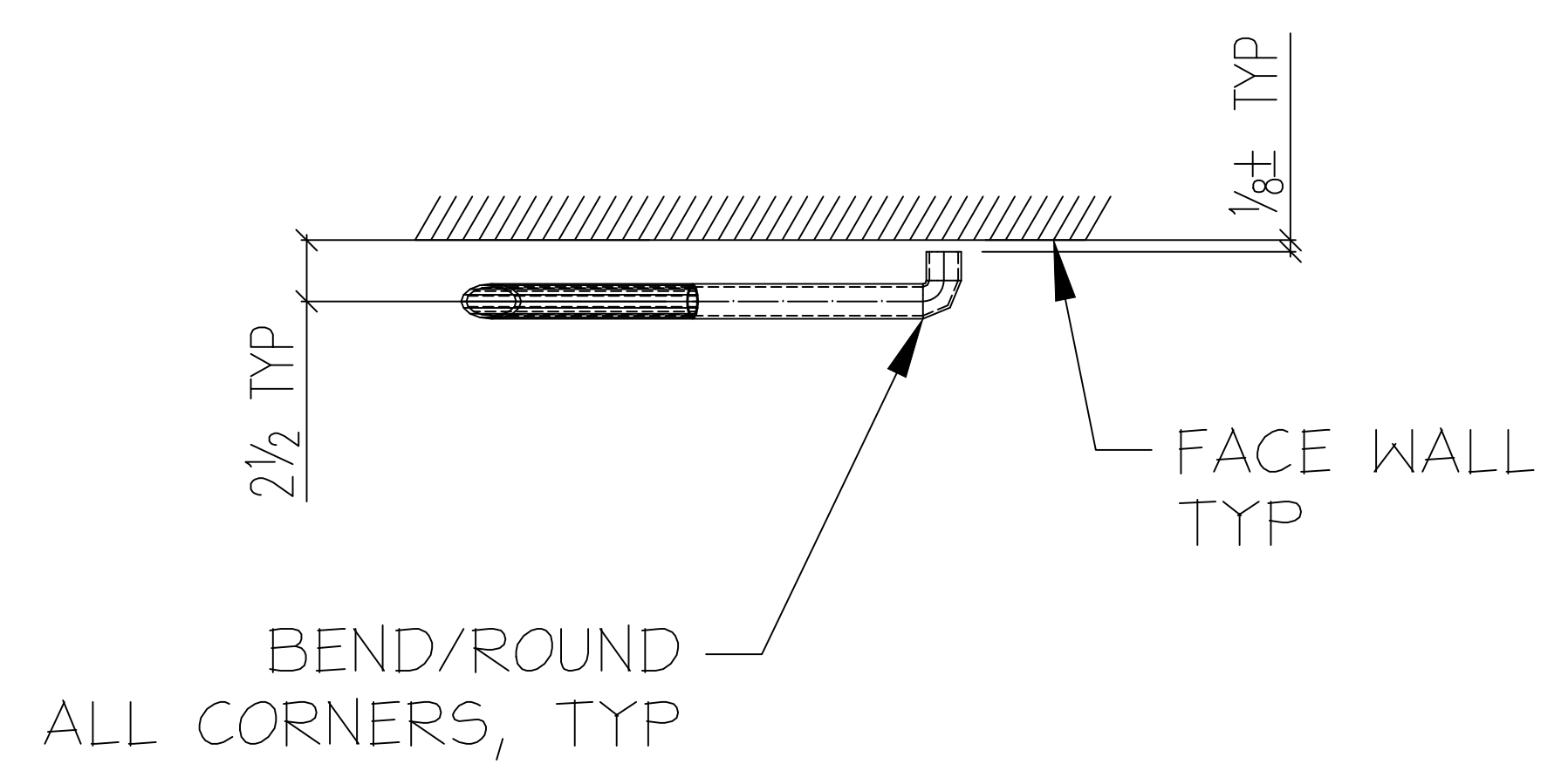
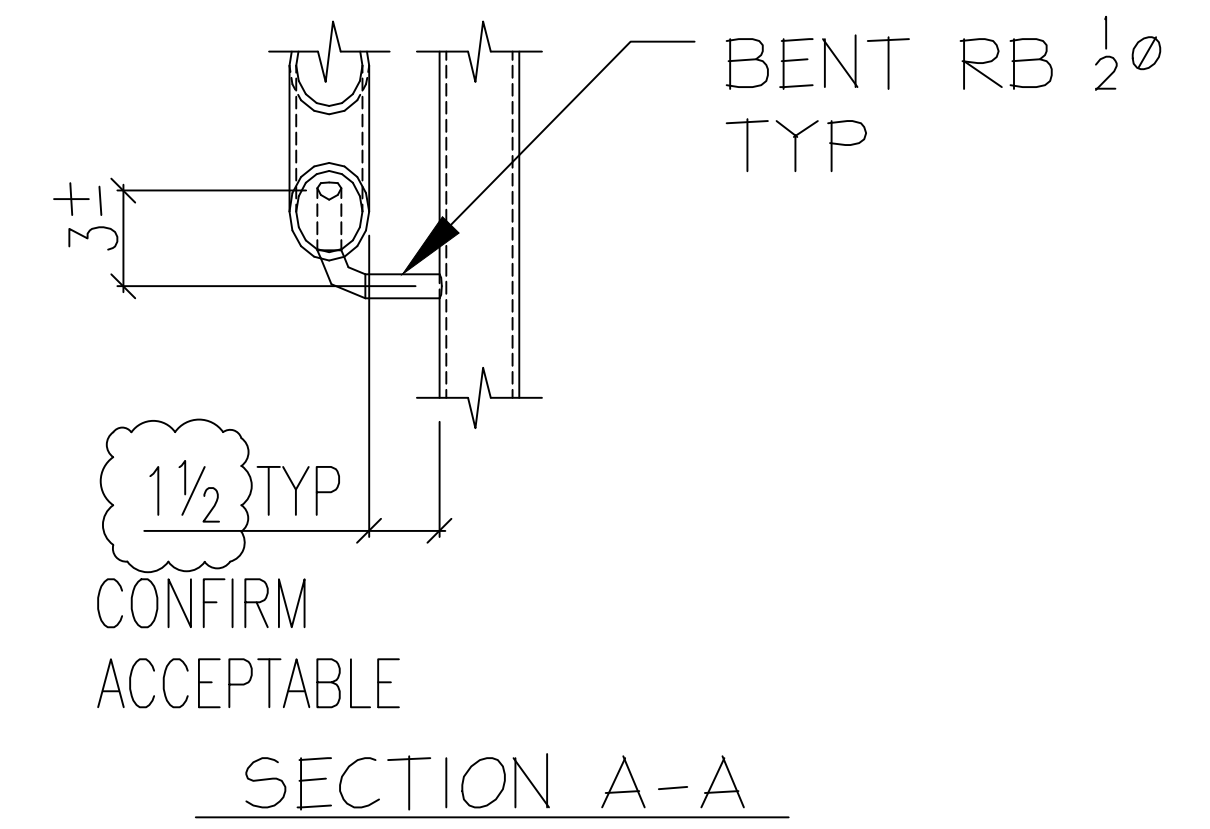
DRAWN BY	DATE	
RCL	6/11/2023	ME6



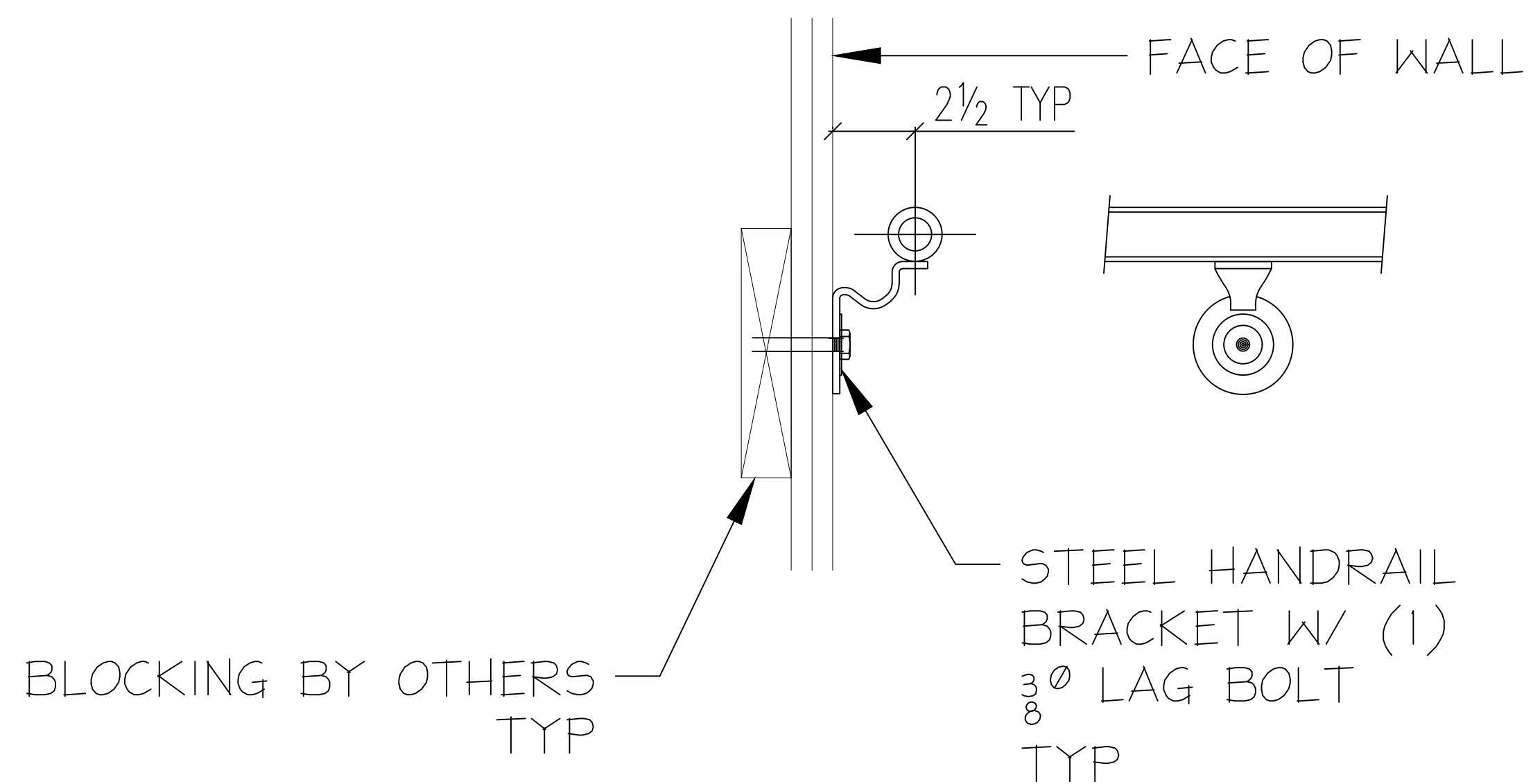
A
ME7
DETAIL REF:



B
ME7
TYP GUARDRAIL
DETAIL REF:



C
ME7
WALL RAIL
RETURN DETAIL REF:



D
ME7
WALL RAIL
BRACKET DETAIL REF:

REV	DATE	BY	DESCRIPTION
Rev.	Date	BY	Description
▲	7/28/29		Per Review Comments

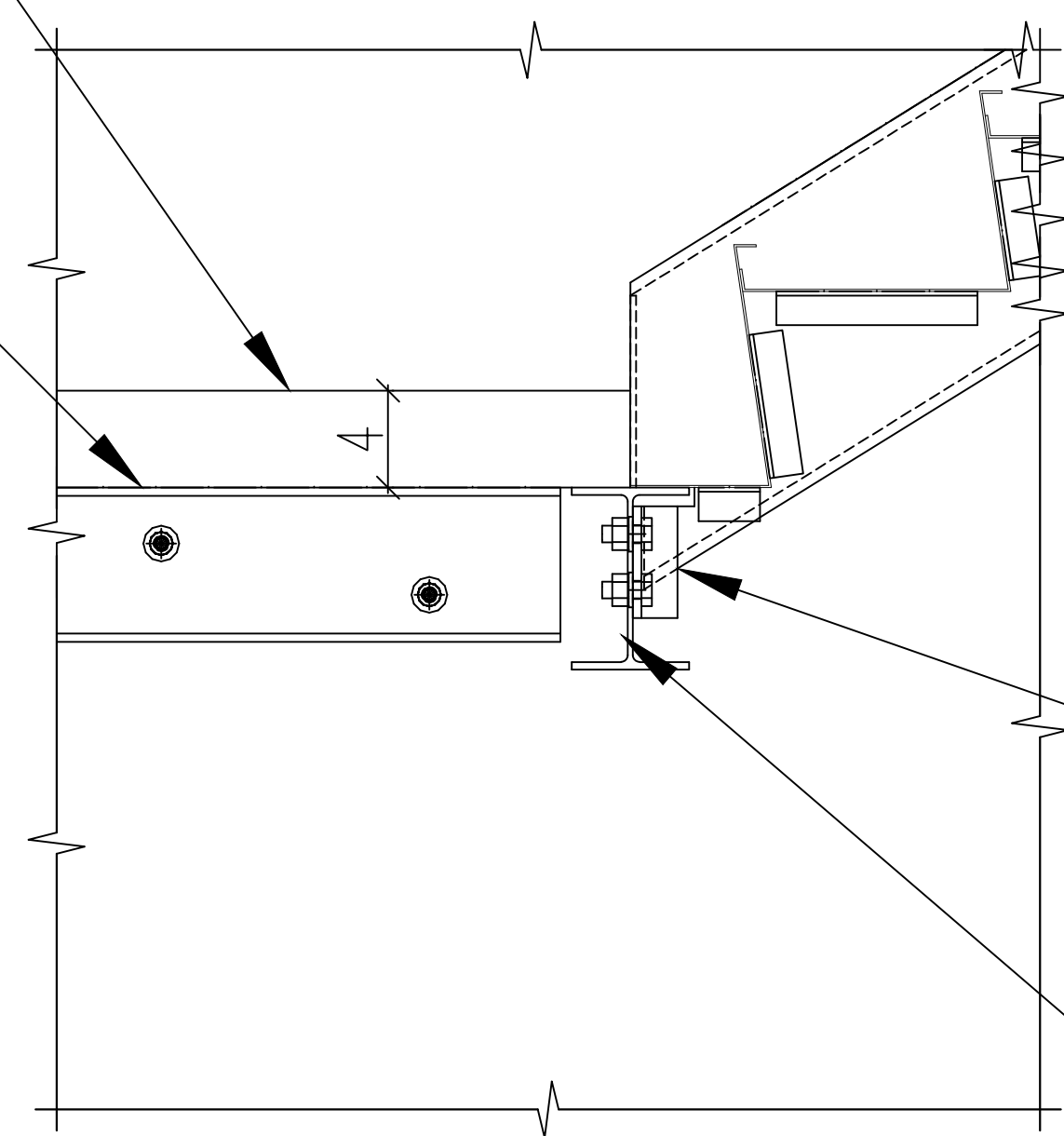
PROJECT: 40024
 LOCATION: 180-00 Booth Memorial Ave, Flushing, NY 11365
 SHEET DESCRIPTION: DESCRIPTION
 CONTRACTOR:

CITY STEEL PRODUCTS
 176-25 Union Turnpike
 Suite 248 Fresh Meadows, New York
 PHONE: 718-498-2855 www.citysteelproducts.com

DRAWN BY: RCL DATE: 6/11/2023
 FILE # ME7/ANG

4" CONCRETE LANDING
(BY OTHERS)

MC6x12 DECK
SUPPORTS W/
1/2"x5" STAGGERED
EXPANSION
ANCHORS @ 12" O.C.
TYP

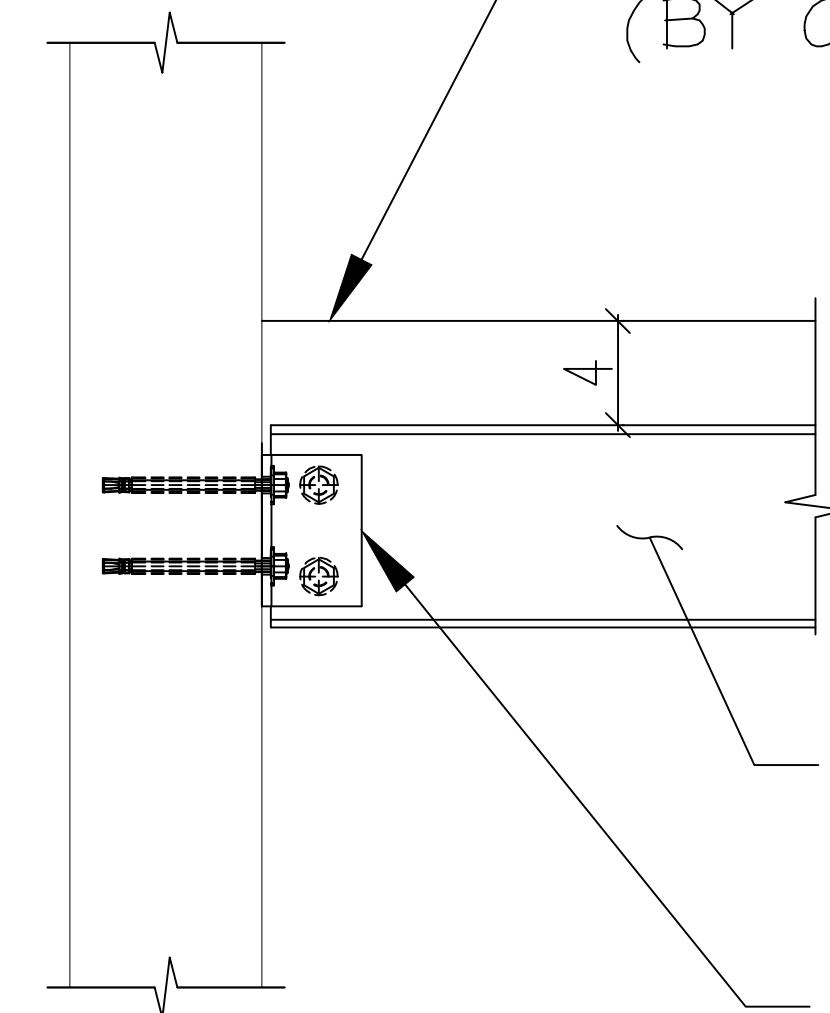


L3x3x³/₈ X 0'-5 W/
(2) 3/4" A325 BOLTS, CLIP
LEG TO FIT W/ PAN SUPPORT
TYP

W8x15 HEADER
TYP

A
ME8
DETAIL REF:

4" CONCRETE LANDING
(BY OTHERS)



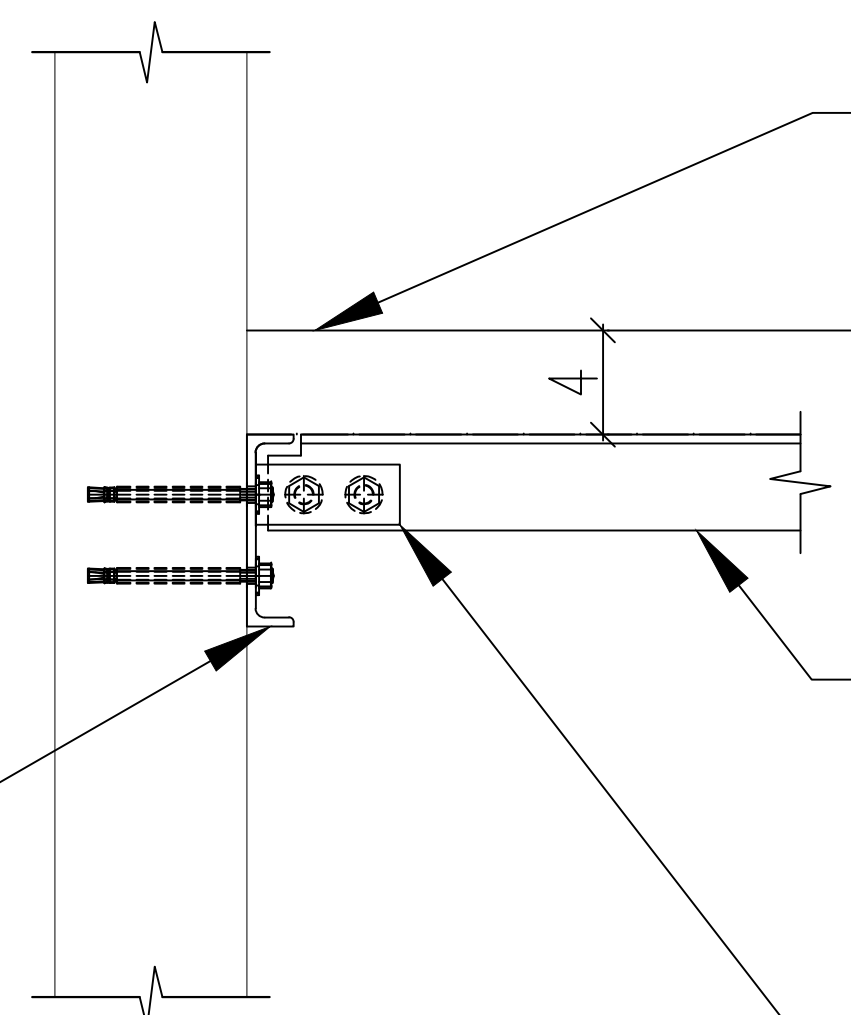
W8x15 HEADER/BEAM
SEE PLAN, TYP

L4x4x³/₈ X 0'-5
W/ (2) 3/4" A325 BOLTS
& (2) 1/2"x0'-5
EXPANSION ANCHORS
INTO CONCRETE
TYP

C
ME8
DETAIL REF:

4" CONCRETE LANDING
(BY OTHERS)

MC6x12 DECK
SUPPORTS AROUND
PERIMETER W/
1/2"x5" STAGGERED
EXPANSION
ANCHORS @ 12" O.C.
TYP



L3x3x¹/₄ DECK SUPPORT
@ CENTER SEE PLAN

SHEAR PL ³/₈x2¹/₂ X 0'-6
W/ (2) 3/4" A325 BOLTS
TYP

B
ME8
DETAIL REF:

PROJECT:	40024
LOCATION:	180-00 Booth Memorial Ave, Flushing, NY 11365
SHEET DESCRIPTION:	DESCRIPTION
CONTRACTOR:	

REVISIONS			
REV	DATE	BY	DESCRIPTION
Rev.	Date		Description
A	7/28/29		Per Review Comments

CITY STEEL
PRODUCTS

176-25 Union Turnpike
Suite 248 Fresh Meadows, New York

PHONE: 718-498-2855 www.citysteelproducts.com

DRAWN BY: RCL
DATE: 6/11/2023

ME8

GUARDRAIL NOT SHOWN FOR CLARITY, SEE DETAIL C/ME9, TYP

L4x4x11Ga. POUR STOP AROUND LANDING

LANDING TO BE 1" 22GA FORM DECK OR PL STEEL INFILL TO SUPPORT 4" CONCRETE LANDING (CONCRETE BY OTHERS) TYP

EL. 19'-10 1/2
2ND FLOOR

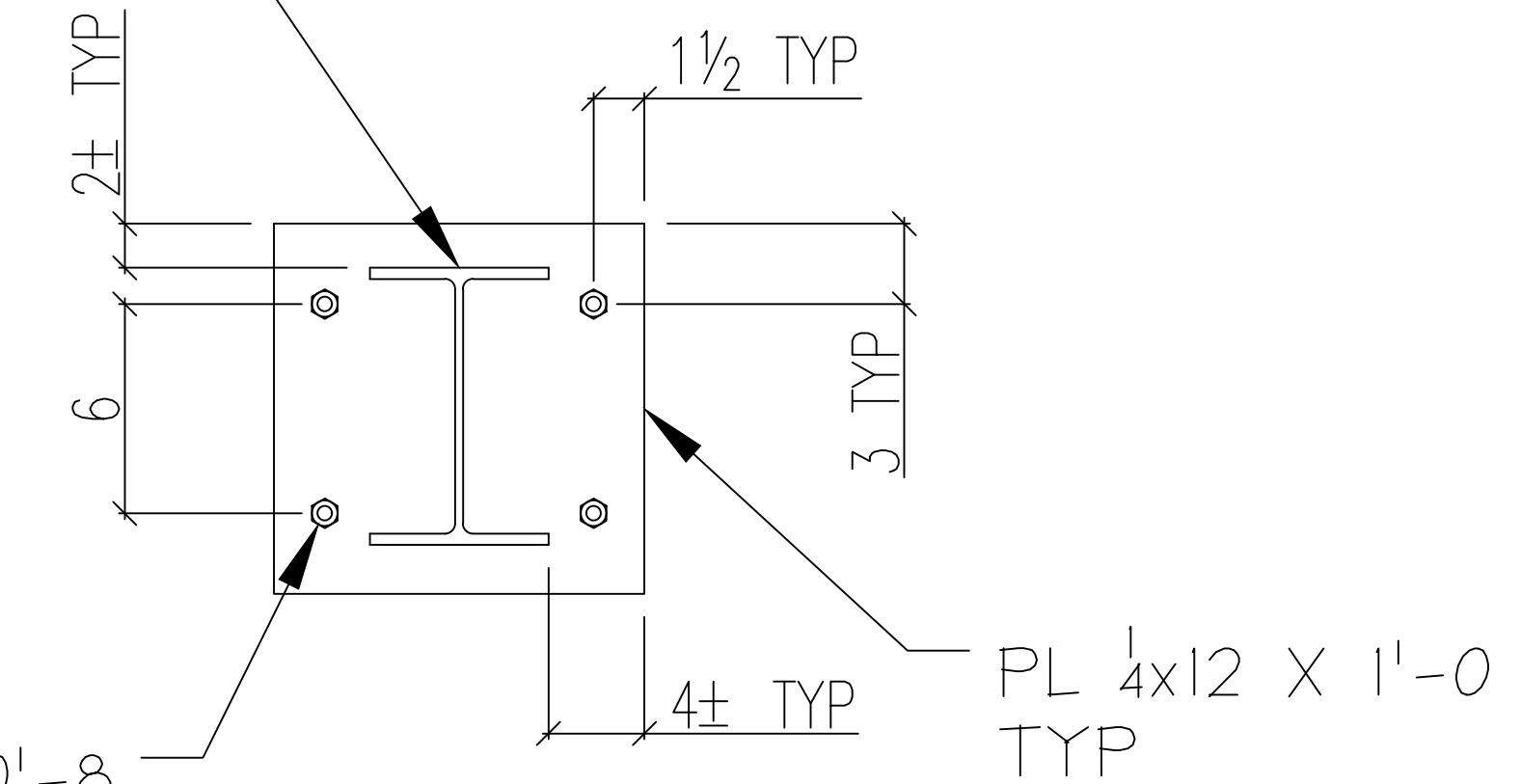
HSS 4x4x1/4 COLUMN TO SUPPORT W8x15 ABOVE (1) LOCATION. SEE PLAN

EL. 14'-9
TOS

BEAM TO MISS STRINGERS TYP

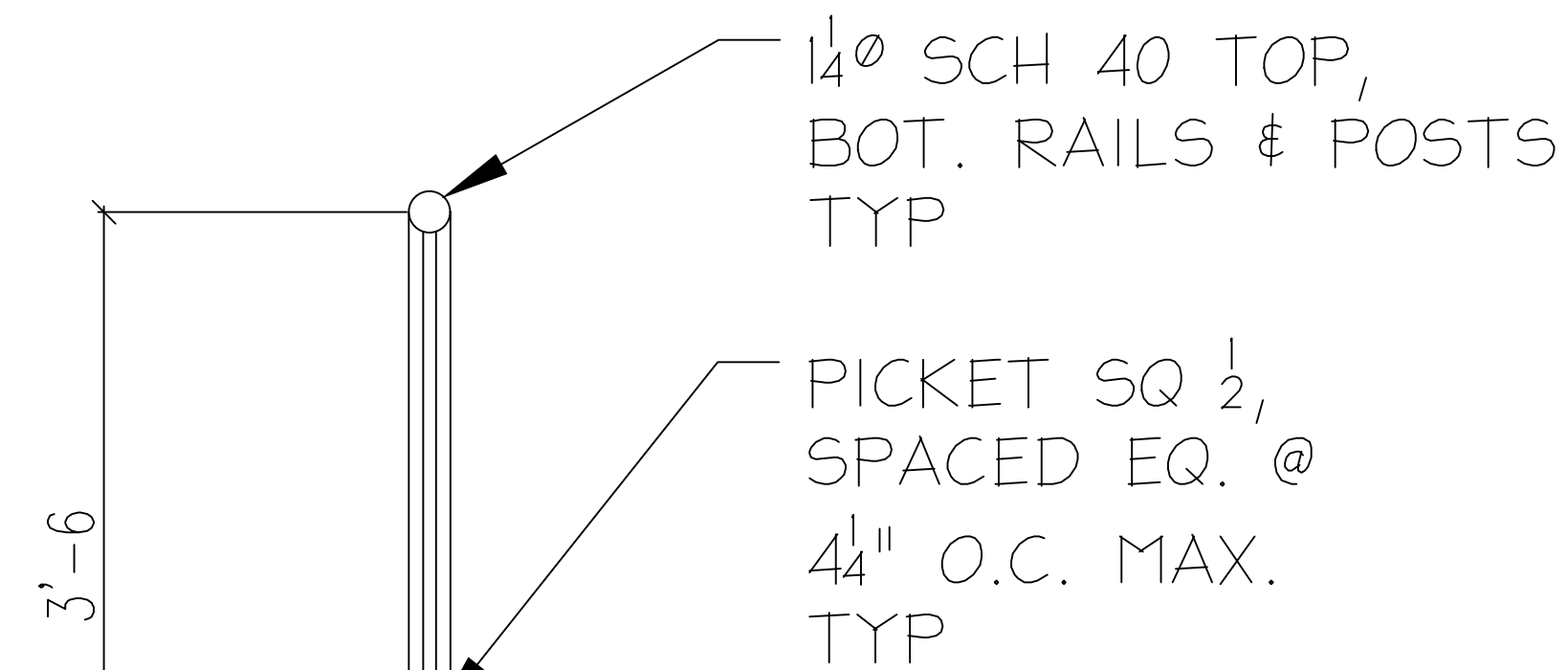
W8, SEE PLAN/SECTIONS

(4) 5/8x0'-8 FULLY THREADED A307 ANCHOR RODS, SET W/ SIMPSON AT-XP30 EPOXY W/ 6" EMBEDMENT. INSTALL PER MANUFACTURES INSTRUCTIONS. TYP



B SECTION VIEW
ME9 REF:

A SECTION VIEW
ME9 REF:

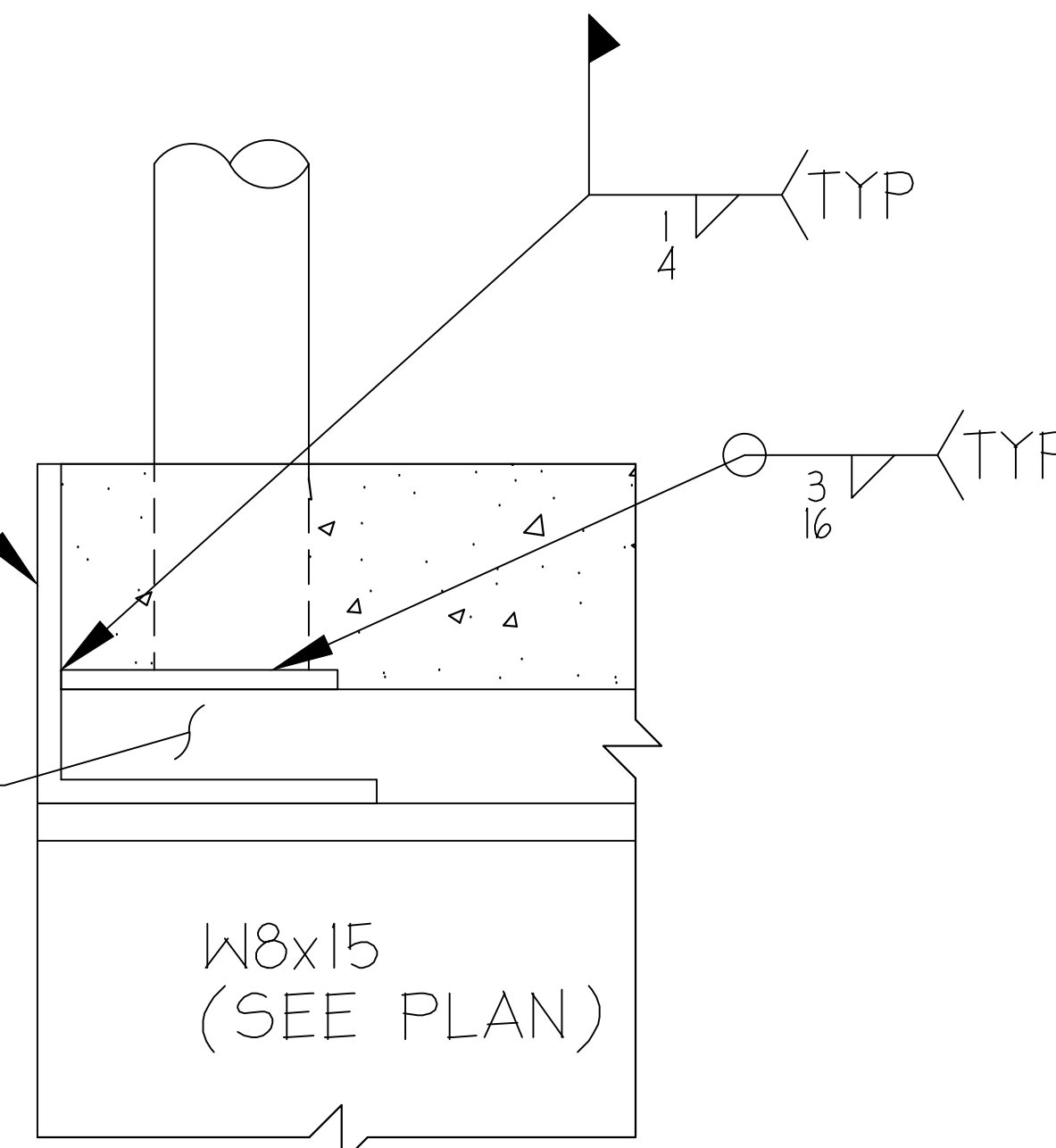


EL. 19'-10 1/2
2ND FLOOR

C SECTION VIEW
ME9 REF:

L4x4x11Ga. POUR STOP AROUND LANDING

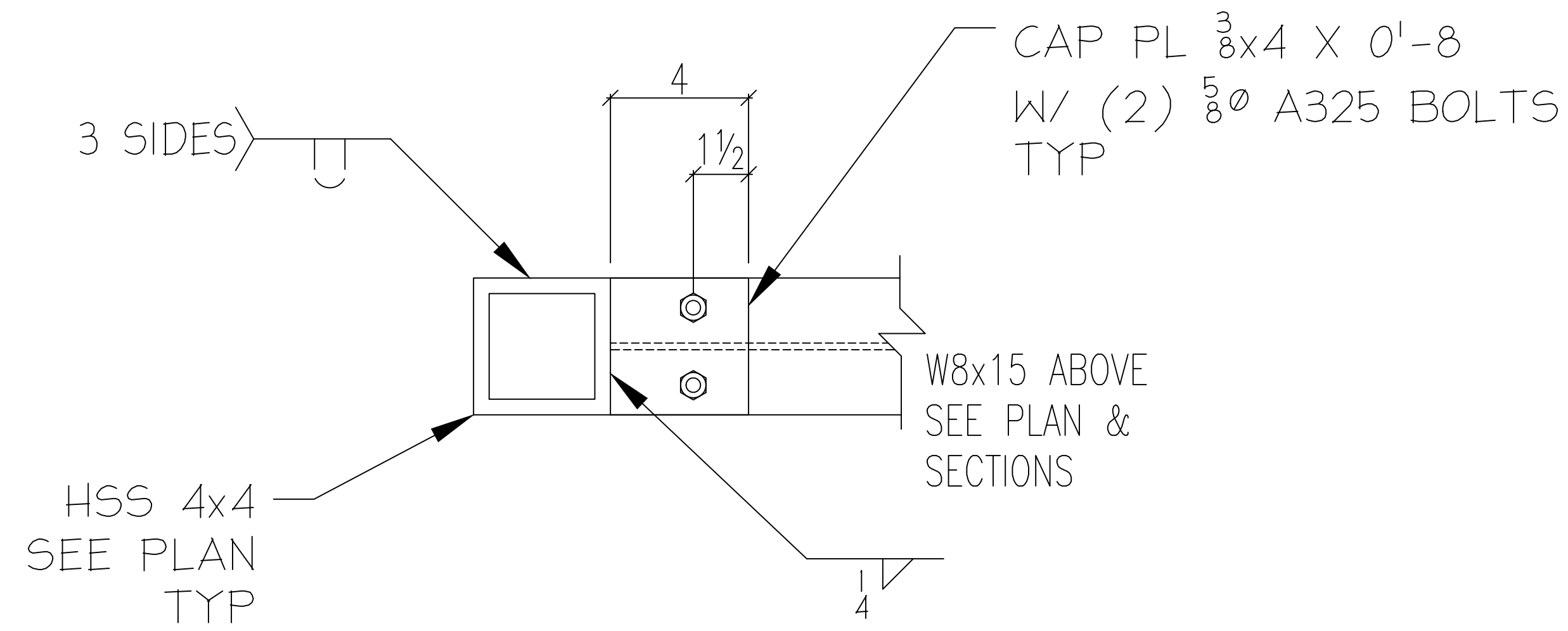
LANDING TO BE 1" 22GA FORM DECK OR PL STEEL INFILL TO SUPPORT 4" CONCRETE LANDING (CONCRETE BY OTHERS) TYP



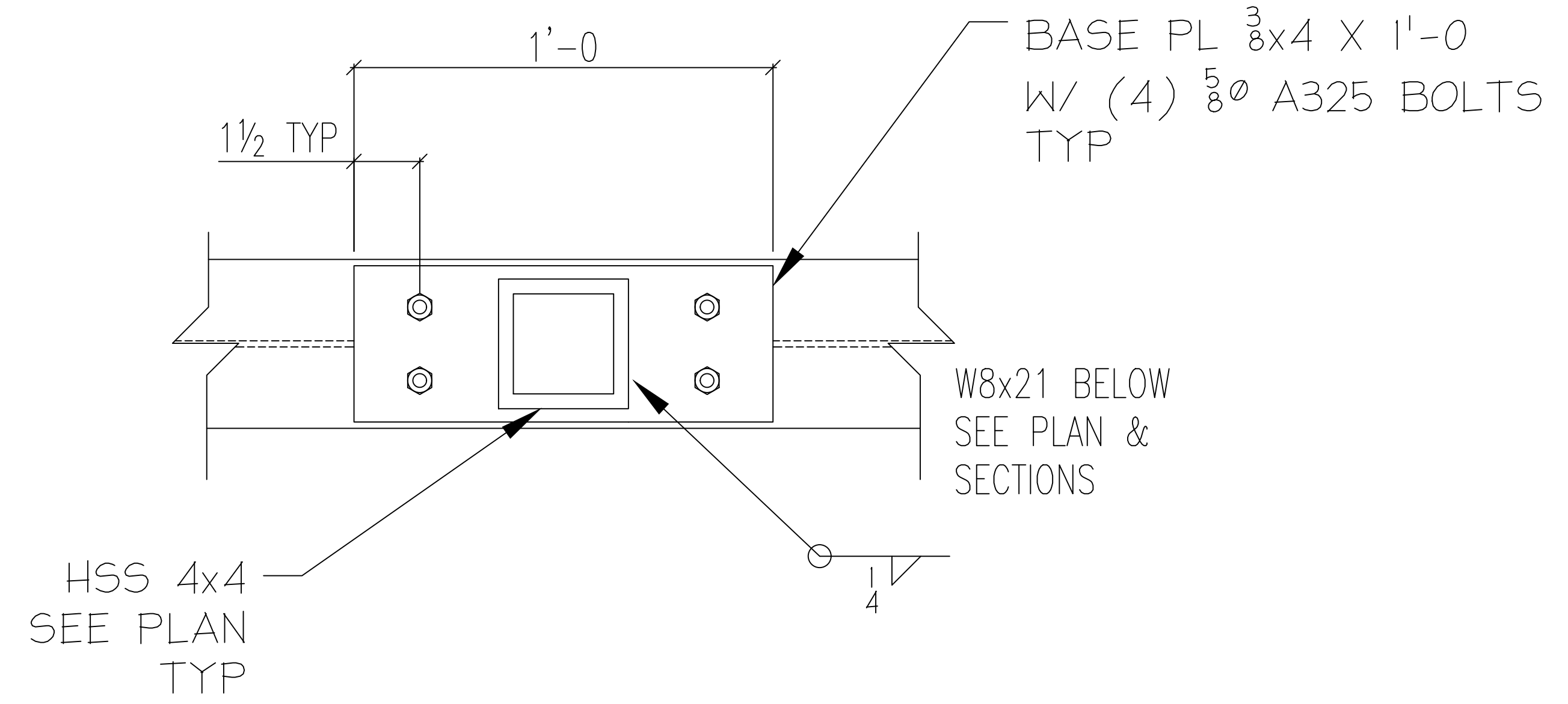
D DETAIL VIEW
ME9 REF:

REV	DATE	BY	DESCRIPTION
7/28/29			Per Review Comments

PROJECT: 40024
 LOCATION: 180-00 Booth Memorial Ave, Flushing, NY 11365
 SHEET DESCRIPTION: DESCRIPTION
 CONTRACTOR:
CITY STEEL PRODUCTS
 176-25 Union Turnpike
 Suite 248 Fresh Meadows, New York
 PHONE: 718-498-2855 www.citysteelproducts.com
 DRAWN BY: RCL DATE: 6/11/2023
 ME9



A SECTION VIEW
ME10 REF:



B SECTION VIEW
ME10 REF:

New York's Best Commercial Steel Fabrication and Iron Works Company

PROJECT:	40024
LOCATION:	180-00 Booth Memorial Ave, Flushing, NY 11365
SHEET DESCRIPTION:	DESCRIPTION
CONTRACTOR:	

HOLES:			
FINISH:			
REVISIONS			
REV	DATE	BY	DESCRIPTION
▲	7/28/29		Per Review Comments

CITY STEEL
PRODUCTS
176-25 Union Turnpike
Suite 248 Fresh Meadows, New York
PHONE: 718-498-2855 www.citysteelproducts.com

DRAWN BY:	DATE:	
RCL	6/11/2023	ME10

FILE# ME10.dwg